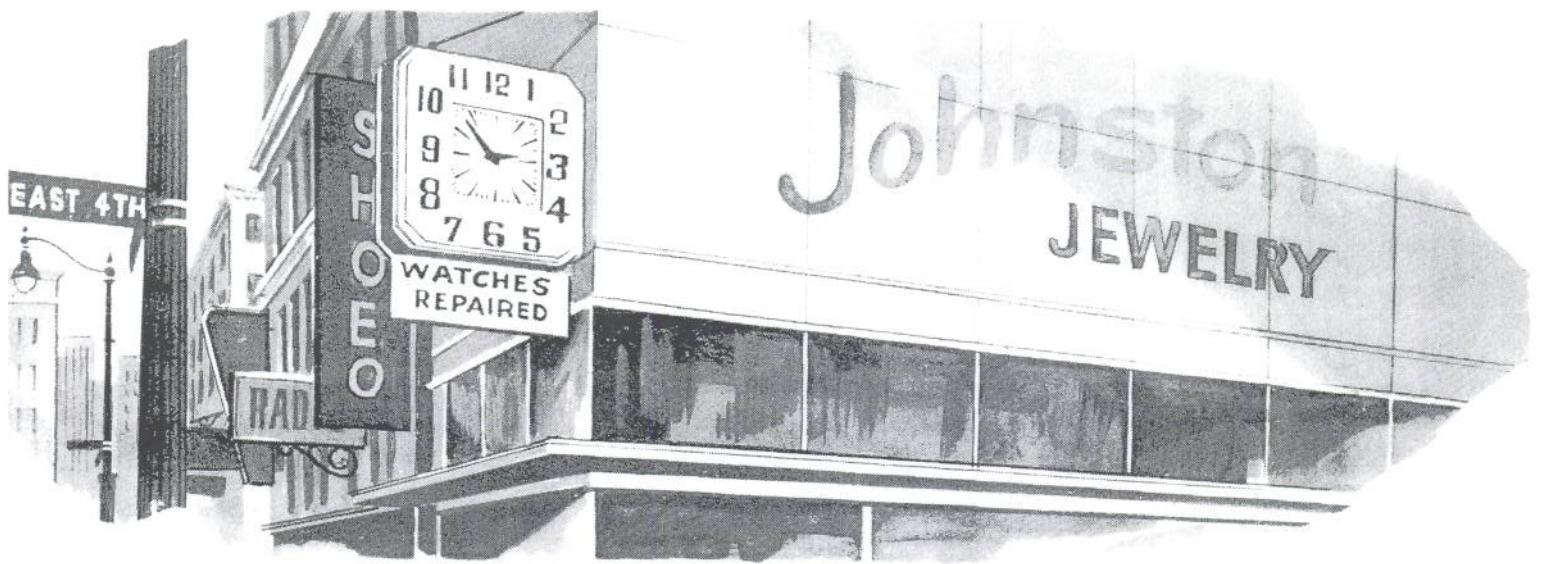


The ELECTRIC NEON CLOCK CO.



MANUFACTURERS
OF ADVERTISING
CLOCKS AND SIGNS



The Electric Neon Clock Co.

MANUFACTURERS

13900 BROADWAY • CLEVELAND 25, OHIO • OFFICES IN PRINCIPAL CITIES

LOOK FOR THESE EXCLUSIVE FEATURES . . . YOUR ASSURANCE OF TOP QUALITY AND LONG TROUBLE-FREE SERVICE

20 gauge steel weather proof case, specifically constructed to withstand extreme temperature changes.

Baked enamel finish that has passed the rigid Florida Coast Test for durability.

Self starting Synchron® movement that never requires lubrication or care. Manufactured to work perfectly even under extremities of heat or cold.

Power consumption below that of a 60 watt light bulb.

Operates on standard 110-120 volt, 60 cycle AC current.

Protected for the period of one full year against loss by fire, theft, cyclone, windstorm, flood, riot, strike, civic commotion and earthquake.

Guaranteed against defect in parts for one full year from date of purchase.

Day or night the message is seen because the clock is illuminated by two octagonal neon tubes with a life expectancy of from 10 to 15 years.

Flat wall or corner hanging equipment supplied at no extra charge.

Adjustable roof or coping brackets available upon request at \$4.50 per unit shipped F.O.B. Cleveland.

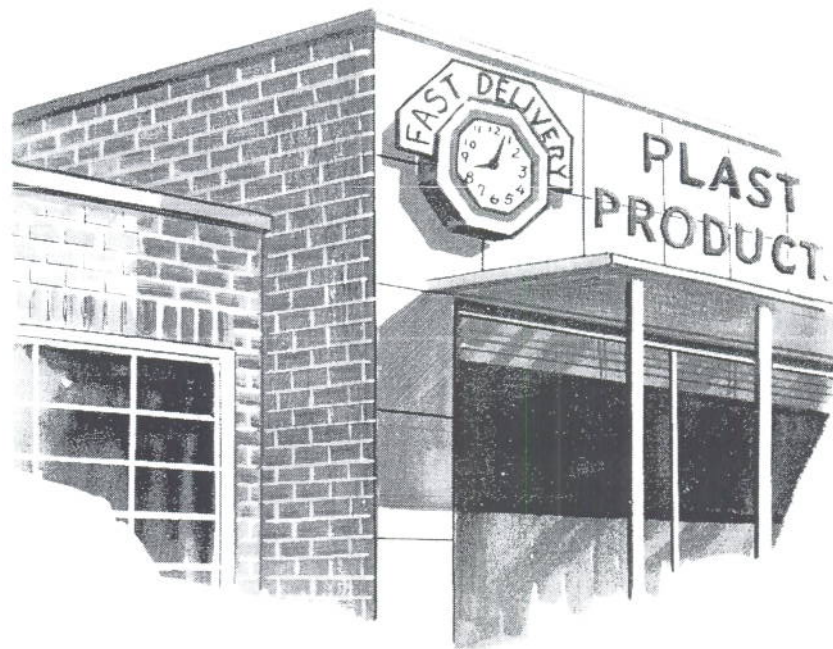
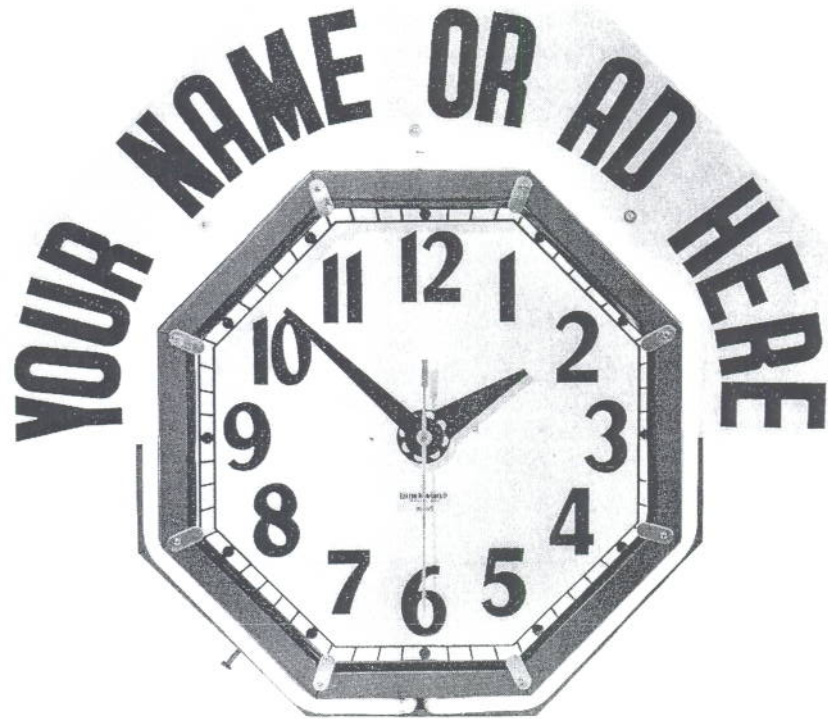
Reflected light on metal dial and hands.

Ease of installation . . . just plug into any regular socket.

Conduit boxes available upon request.

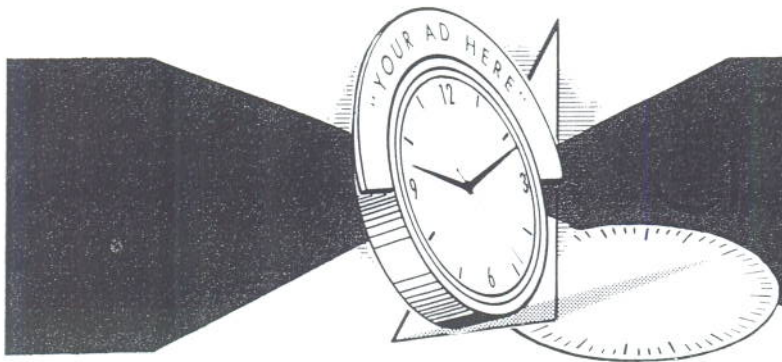
The price of \$159.50 includes transportation and delivery charge of clock, interest and carrying charges, guarantees, insurance and Federal Excise Tax. The advertising shield will be shipped F.O.B. Cleveland.

The ad is timeless when it surrounds an Electric Neon Clock. The advertising message displayed in four-inch letters on a white metal background.



SIZE DATA				
DIAMETER	DIAMETER WITH SHIELD	HEIGHT	DEPTH	DIAL DIAMETER
21"	33"	27"	7"	17"

PRICE AND PAYMENT SCHEDULE		
PRICE	DOWN PAYMENT	BALANCE DUE IN EQUAL MONTHLY INSTALLMENTS
SINGLE FACE WITH SHIELD		
\$159.50	\$32.00	\$10.00 per month



MANUFACTURERS

13900 BROADWAY • CLEVELAND 25, OHIO • OFFICES IN PRINCIPAL CITIES

**LOOK FOR THESE EXCLUSIVE FEATURES . . . YOUR ASSURANCE OF
TOP QUALITY AND LONG TROUBLE-FREE SERVICE**

20 gauge steel weather proof case, specifically constructed to withstand extreme temperature changes.

Baked enamel finish that has passed the rigid Florida Coast Test for durability.

Self starting Synchron® movement that never requires lubrication or care. Manufactured to work perfectly even under extremities of heat and cold.

Power consumption below that of a 60 watt light bulb.

Operates on standard 110-120 volt, 60 cycle AC current.

Protected for the period of one full year against loss by fire, theft, cyclone, windstorm, flood, riot, strike, civic commotion and earthquake.

Guaranteed against defective parts for one full year from date of purchase.

Day or night the message is seen because the clock is illuminated by two colored circular neon tubes with a life expectancy of from 10 to 15 years.

Flat wall or corner hanging equipment supplied at no extra charge.

Adjustable roof or coping brackets available upon request at \$4.50 per unit, shipped F.O.B. Cleveland.

Reflected light on dial and hands.

Molded .125 inch shatter-resistant, optically clear, ultra-violet absorbent Rohm & Haas plexiglas® contour.

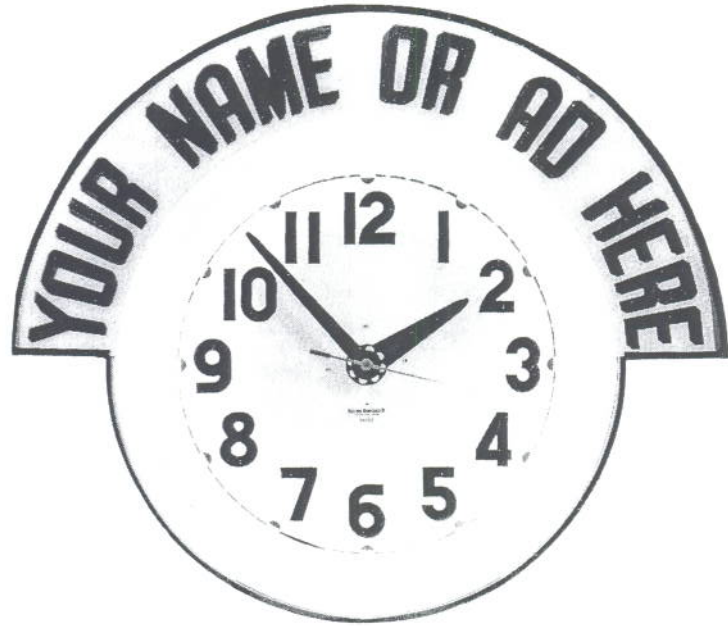
Ease of installation . . . just plug into any regular socket.

Conduit boxes available upon request.

The price of \$211.50 includes transportation and delivery charges of clock, interest and carrying charges, guarantees, insurance and Federal Excise Tax. The advertising shield will be shipped F.O.B. Cleveland.

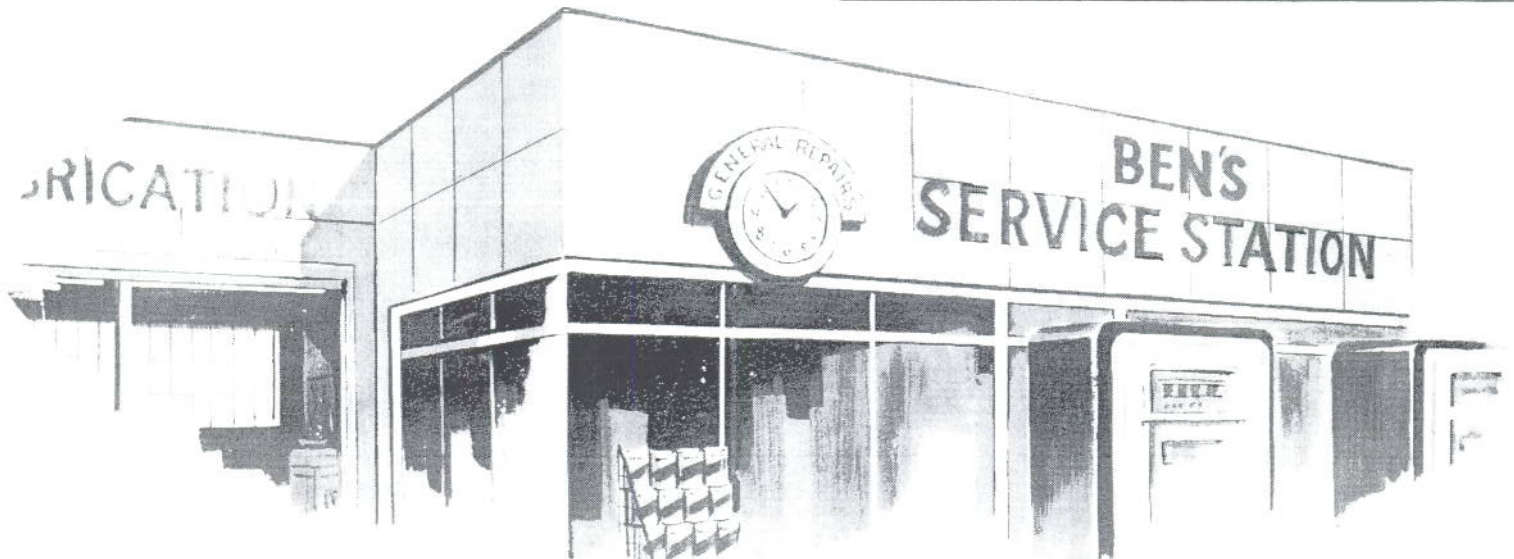
The ad is timeless when it surrounds an Electric Neon Clock. The advertising message displayed in four-inch red and blue decal letters on a plexiglas background.

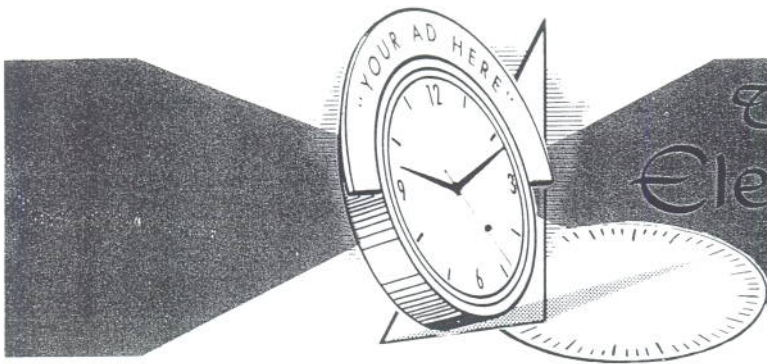
THIS UNIT ALSO AVAILABLE IN DOUBLE FACE — MODEL PL-5D



SIZE DATA				
DIAMETER	DIAMETER WITH SHIELD	HEIGHT	DEPTH	DIAL DIAMETER
26"	36"	31"	7"	19 1/2"

PRICE AND PAYMENT SCHEDULE		
PRICE	DOWN PAYMENT	BALANCE DUE IN EQUAL MONTHLY INSTALLMENTS
SINGLE FACE WITH SHIELD		
\$211.50	\$42.30	\$12.00 per month
DOUBLE FACE WITH SHIELD		
\$423.00	\$84.60	\$24.00 per month





The Electric Neon Clock Co.

MANUFACTURERS

13900 BROADWAY • CLEVELAND 25, OHIO • OFFICES IN PRINCIPAL CITIES

LOOK FOR THESE EXCLUSIVE FEATURES . . . YOUR ASSURANCE OF TOP QUALITY AND LONG TROUBLE-FREE SERVICE

20 gauge steel weather proof case, specifically constructed to withstand extreme temperature changes.

Baked enamel finish that has passed the rigid Florida Coast Test for durability.

Self starting Synchron® movement that never requires lubrication or care. Manufactured to work perfectly even under extremities of heat or cold.

Power consumption below that of a 60 watt light bulb.

Operates on standard 110-120 volt, 60 cycle AC current.

Protected for the period of one full year against loss by fire, theft, cyclone, windstorm, flood, riot, strike, civic commotion and earthquake.

Guaranteed against defect in parts for one full year from date of purchase.

Day or night the message is seen because the clock is illuminated by two colored circular neon tubes with a life expectancy of from 10 to 15 years.

Flat wall or corner hanging equipment supplied at no extra charge.

Adjustable roof or coping brackets available upon request at \$4.50 per unit shipped F.O.B. Cleveland.

Plexiglas® dial is illuminated from behind.

Molded .125 inch shatter-resistant, optically clear, ultra-violet absorbent Rohm & Haas plexiglas® contour.

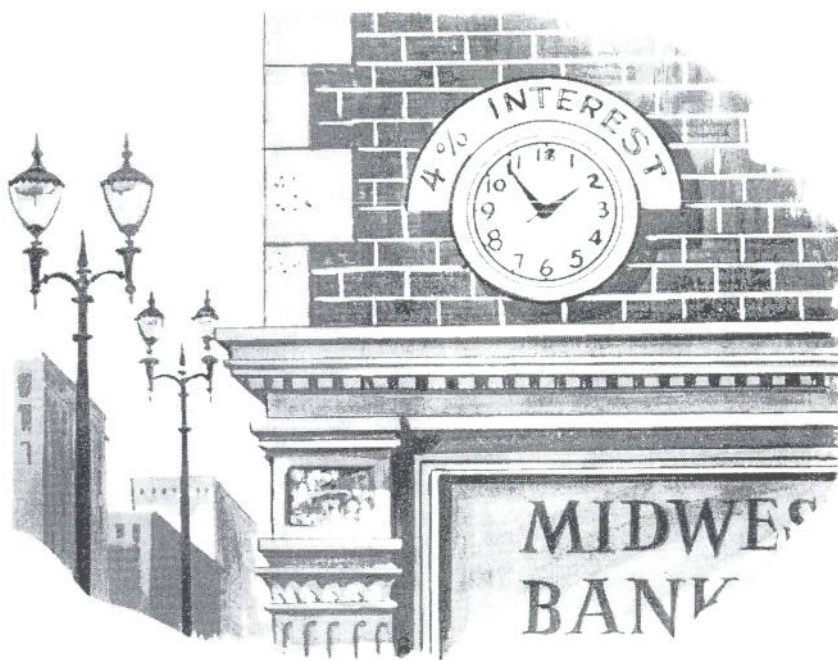
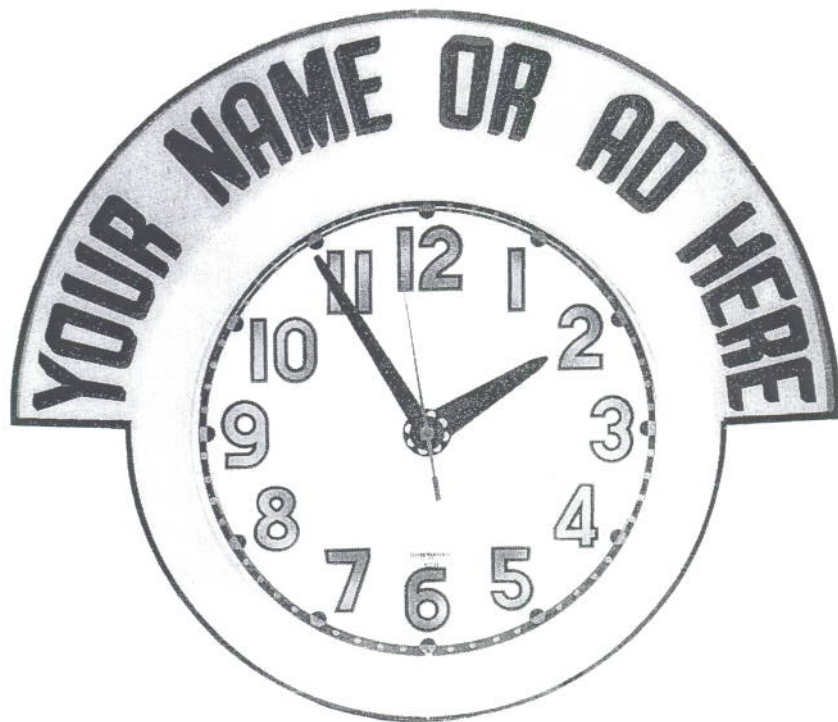
Ease of installation . . . just plug into any regular socket.

Conduit boxes available upon request.

The price of \$219.50 includes transportation and delivery charges of the clock, interest and carrying charges, guarantees, insurance and Federal Excise Tax. The advertising shield will be shipped F.O.B. Cleveland.

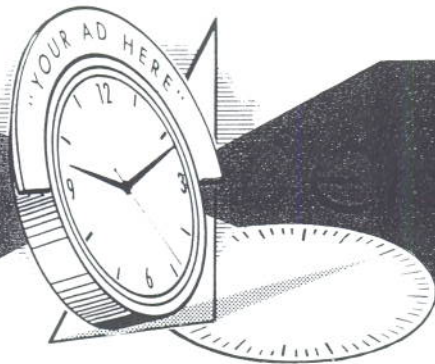
The ad is timeless when it surrounds an Electric Neon Clock. The advertising message displayed in four-inch red and blue decal background.

THIS UNIT ALSO AVAILABLE IN DOUBLE FACE — MODEL APL-2D.



SIZE DATA				
DIAMETER	DIAMETER WITH SHIELD	HEIGHT	DEPTH	DIAL DIAMETER
26"	36"	31"	7"	19½"

PRICE AND PAYMENT SCHEDULE		
PRICE	DOWN PAYMENT	BALANCE DUE IN EQUAL MONTHLY INSTALLMENTS
SINGLE FACE WITH SHIELD		
\$219.50	\$43.90	\$12.00 per month
DOUBLE FACE WITH SHIELD		
\$439.00	\$87.80	\$24.00 per month

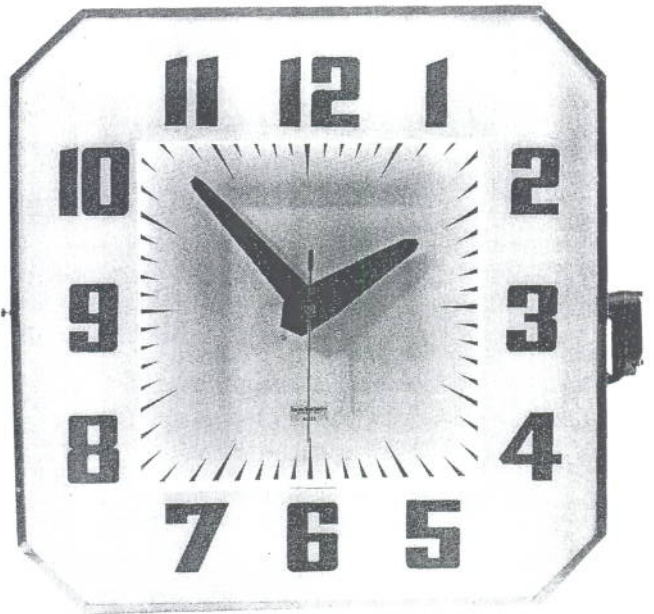


Neon Clock
Co.
MANUFACTURERS

13900 BROADWAY • CLEVELAND 25, OHIO • OFFICES IN PRINCIPAL CITIES

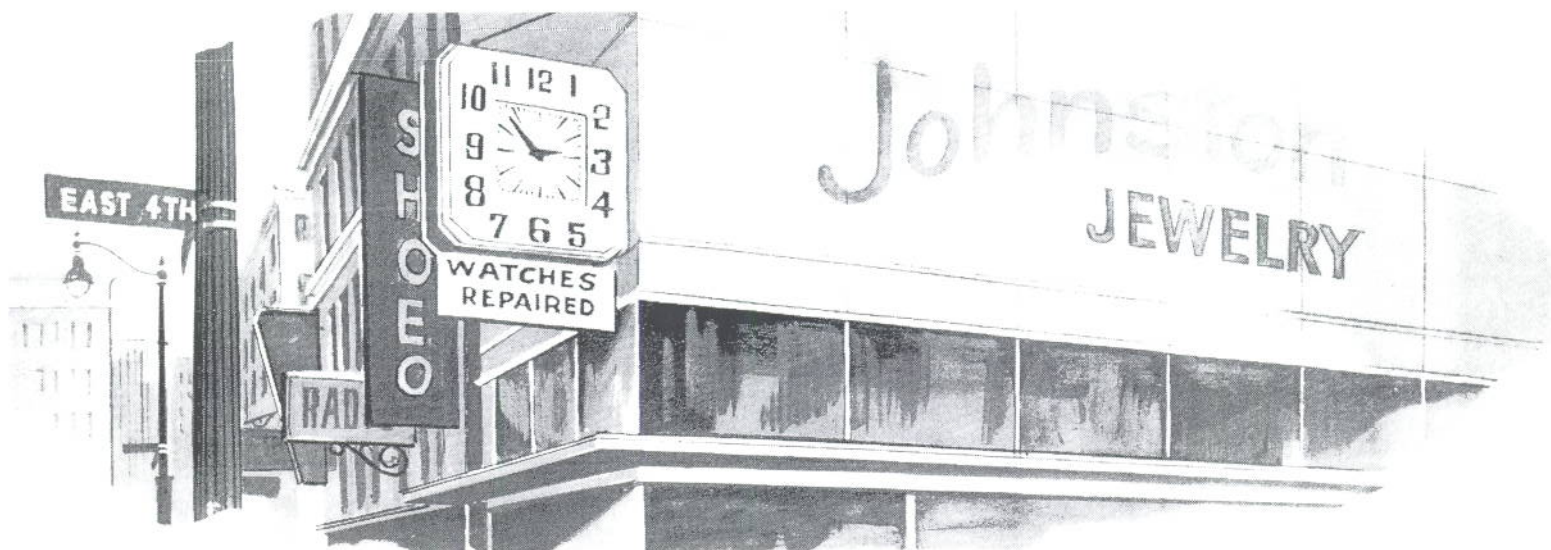
**LOOK FOR THESE EXCLUSIVE FEATURES . . . YOUR ASSURANCE OF
TOP QUALITY AND LONG TROUBLE-FREE SERVICE**

- ▶ 20 gauge steel weather proof case, specifically constructed to withstand extreme temperature changes.
- ▶ Baked enamel finish that has passed the rigid Florida Coast Test for durability.
- ▶ Self starting Synchron® movement that never requires lubrication or care. Manufactured to work perfectly even under extremities of heat or cold.
- ▶ Power consumption below that of a 60 watt light bulb.
- ▶ Operates on standard 110-120 volt, 60 cycle AC current.
- ▶ Protected for the period of one full year against loss by fire, theft, cyclone, windstorm, flood, riot, strike, civic commotion, and earthquake.
- ▶ Guaranteed against defect in parts for one full year from date of purchase.
- ▶ Two white Neon tubes with a life expectancy of from 10 to 15 years.
- ▶ Flat wall or corner hanging equipment supplied at no extra charge.
- ▶ Adjustable roof or coping brackets available upon request at \$4.50 per unit, shipped F.O.B. Cleveland.
- ▶ Reflected light on metal dial and hands.
- ▶ Your choice of Red, Green, Blue or Black numerals and hands.
- ▶ Molded .125 inch shatter-resistant, optically clear, ultra-violet, absorbent Rohm & Haas plexiglas® contour.
- ▶ All units equipped with conduit boxes for permanent installation.
- ▶ Long range visibility both day and night.
- ▶ The price of \$198.50 includes interest, carrying charges, guarantees, insurance and Federal Excise Tax.
- ▶ THIS UNIT ALSO AVAILABLE IN DOUBLE FACE — MODEL BHD.



SIZE DATA			
DIAMETER	HEIGHT	DEPTH	DIAL DIAMETER
29½"	29½"	BHS—6" BHD—8⅛"	25½"

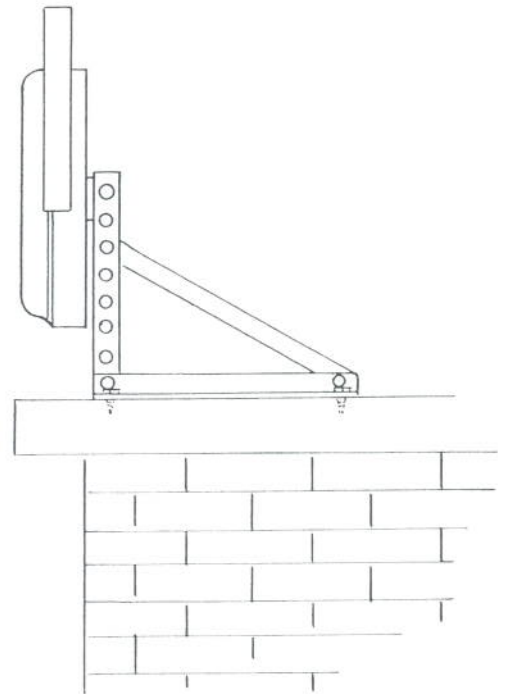
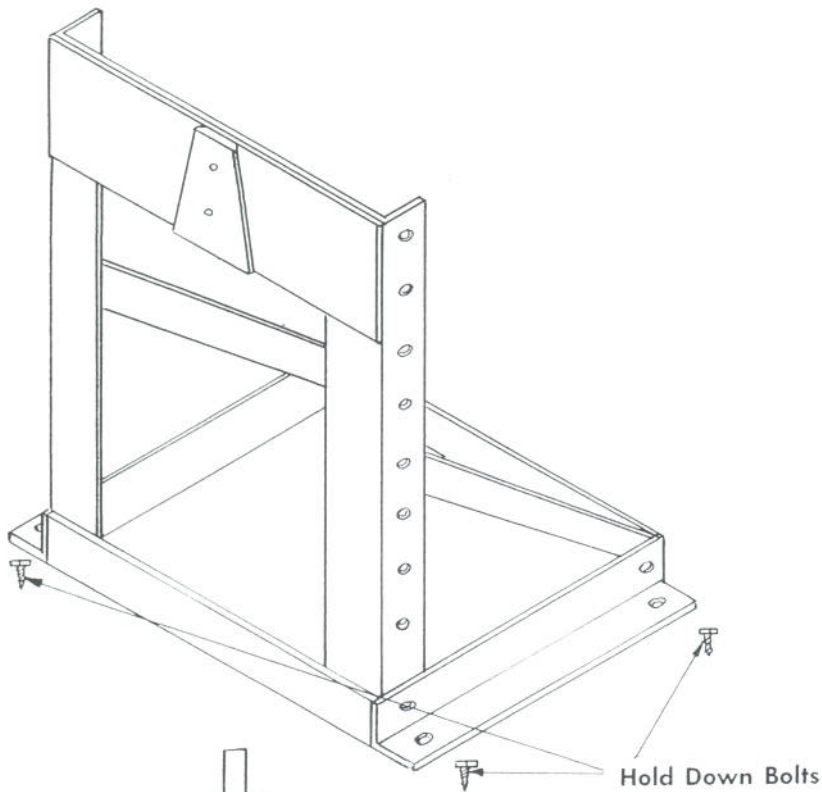
PRICE AND PAYMENT SCHEDULE		
PRICE	DOWN PAYMENT	BALANCE DUE IN EQUAL MONTHLY INSTALLMENTS
		SINGLE FACE
\$198.50	\$39.70	\$12.00 per month
		DOUBLE FACE
\$379.50	\$75.90	\$25.00 per month



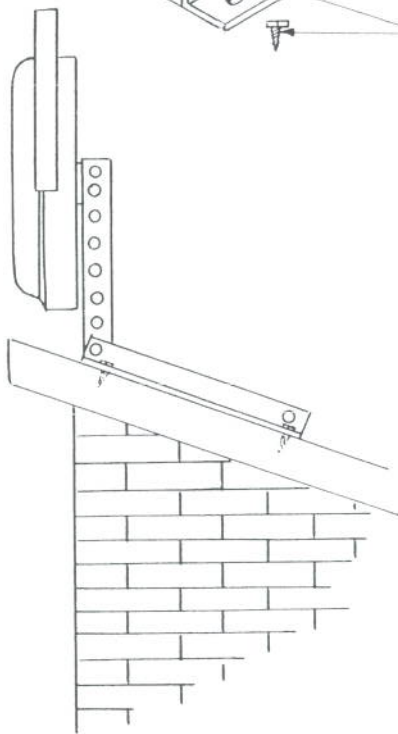
ADJUSTABLE ROOF BRACKET

So Constructed That This Bracket Can Be Adjusted To Fit All Three Roofs Illustrated Here.

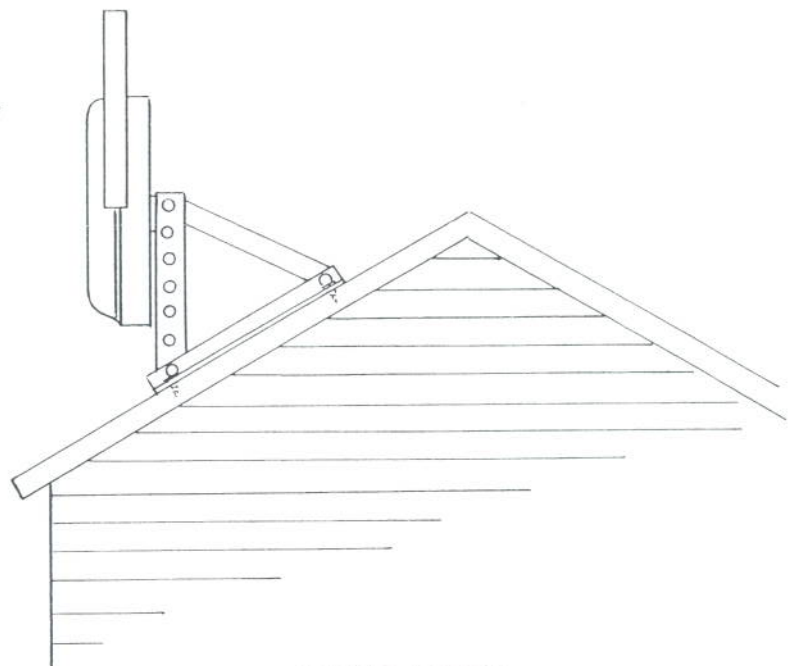
Price - \$4.50 F.O.B. Cleveland



FLAT ROOF
OR CANOPY



SHED ROOF

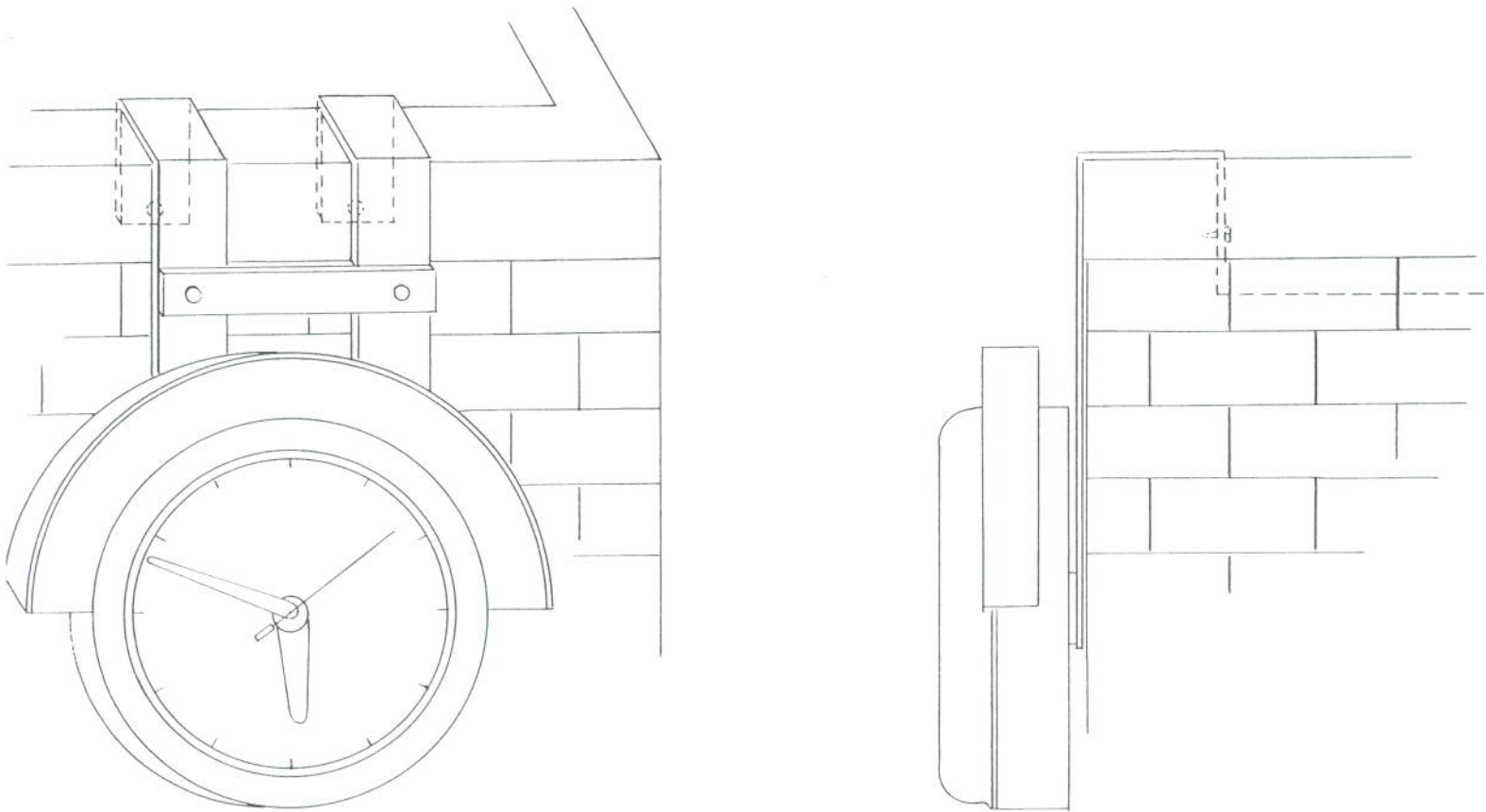


GABLE ROOF

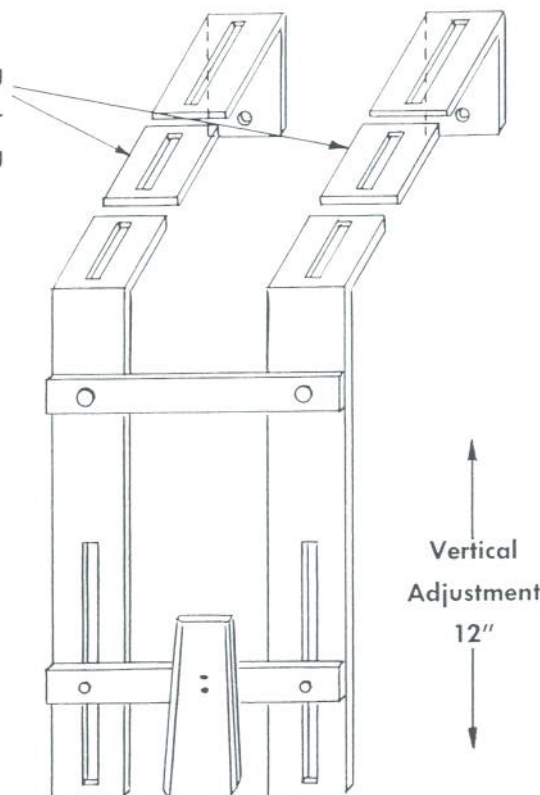
ADJUSTABLE COPING BRACKET

For Use Where Face Of Building Must Not Be Damaged.

Price - \$4.50 F.O.B. Cleveland

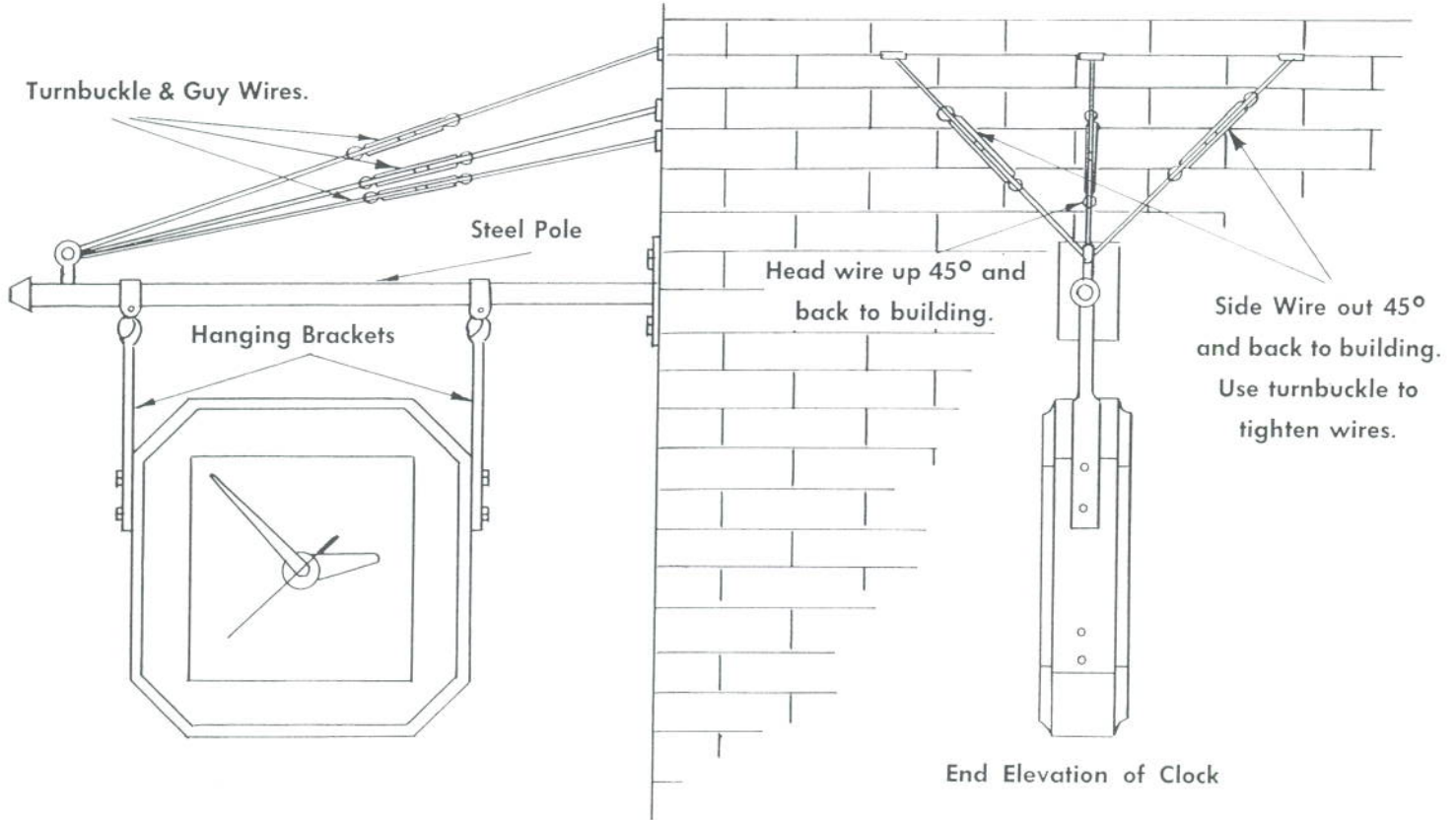


This plate to be used when coping measures 7½" to 13" wide. Without this plate, bracket will fit coping 4½" to 7½" wide.



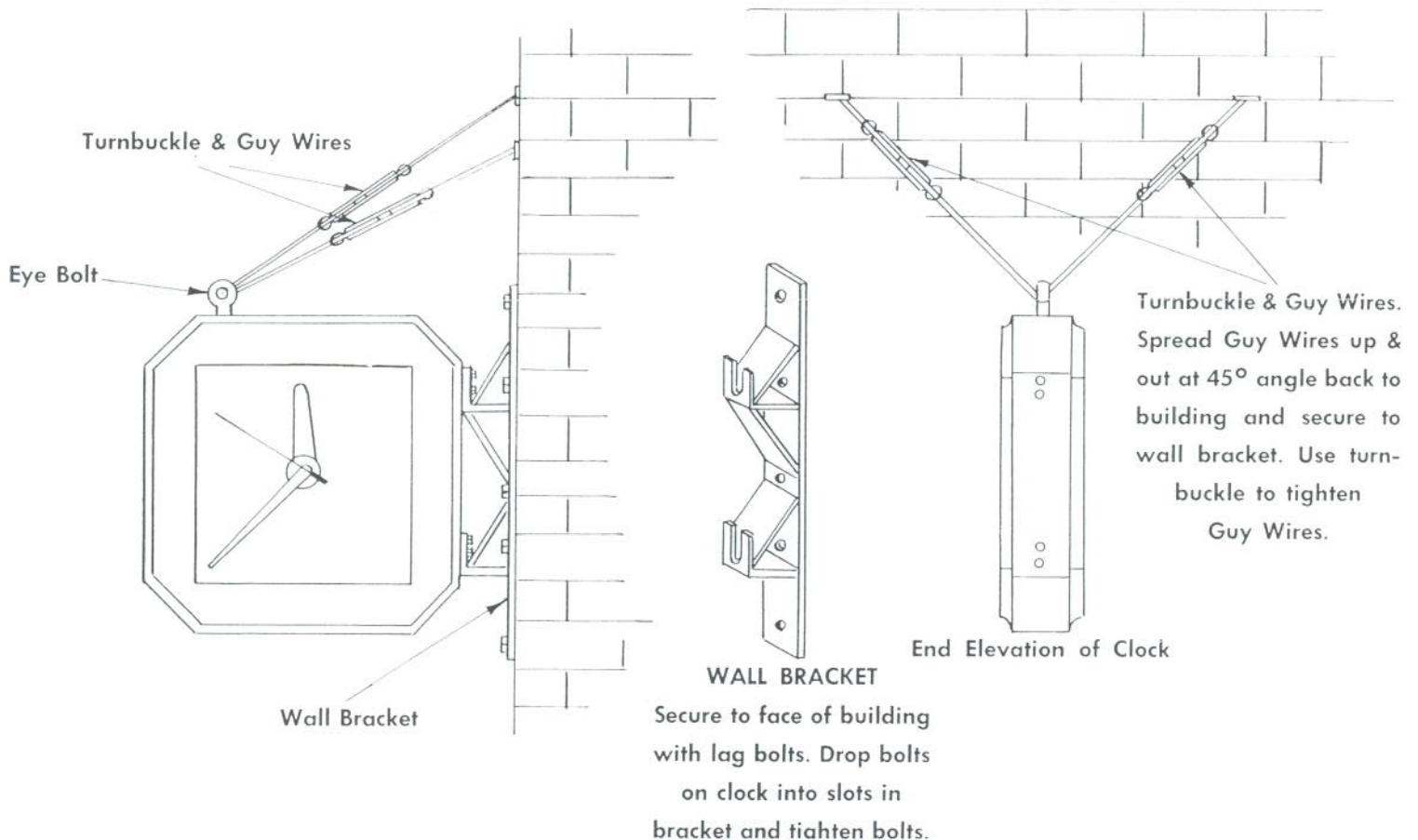
#1 POLE MOUNTING - MODEL BHD

Shipped F.O.B. Cleveland



#2 BRACKET MOUNTING - MODEL BHD

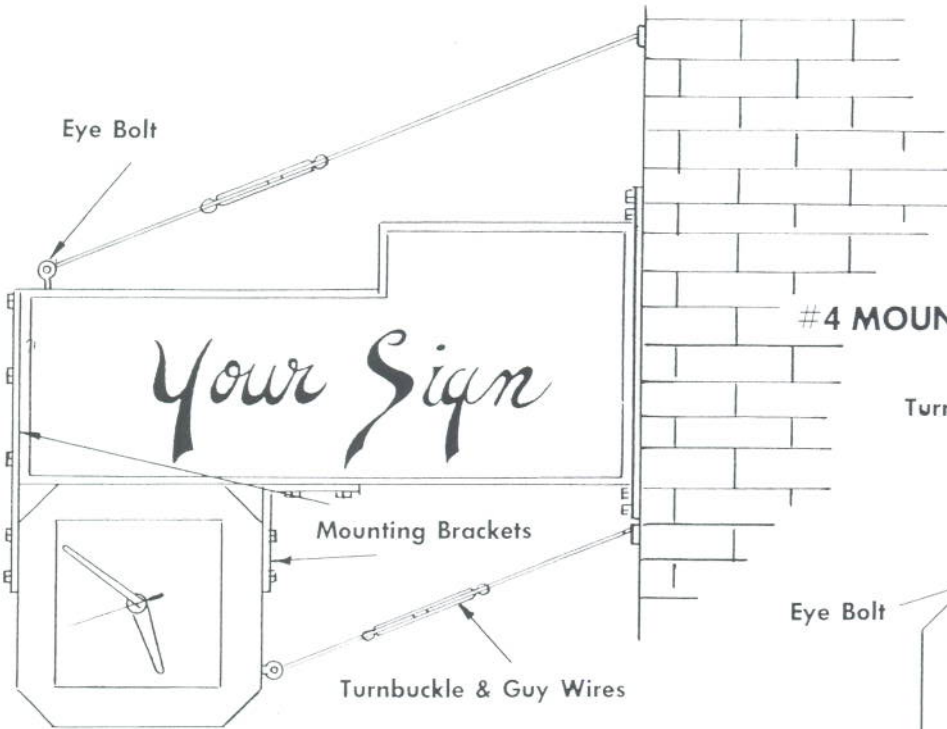
Shipped F.O.B. Cleveland



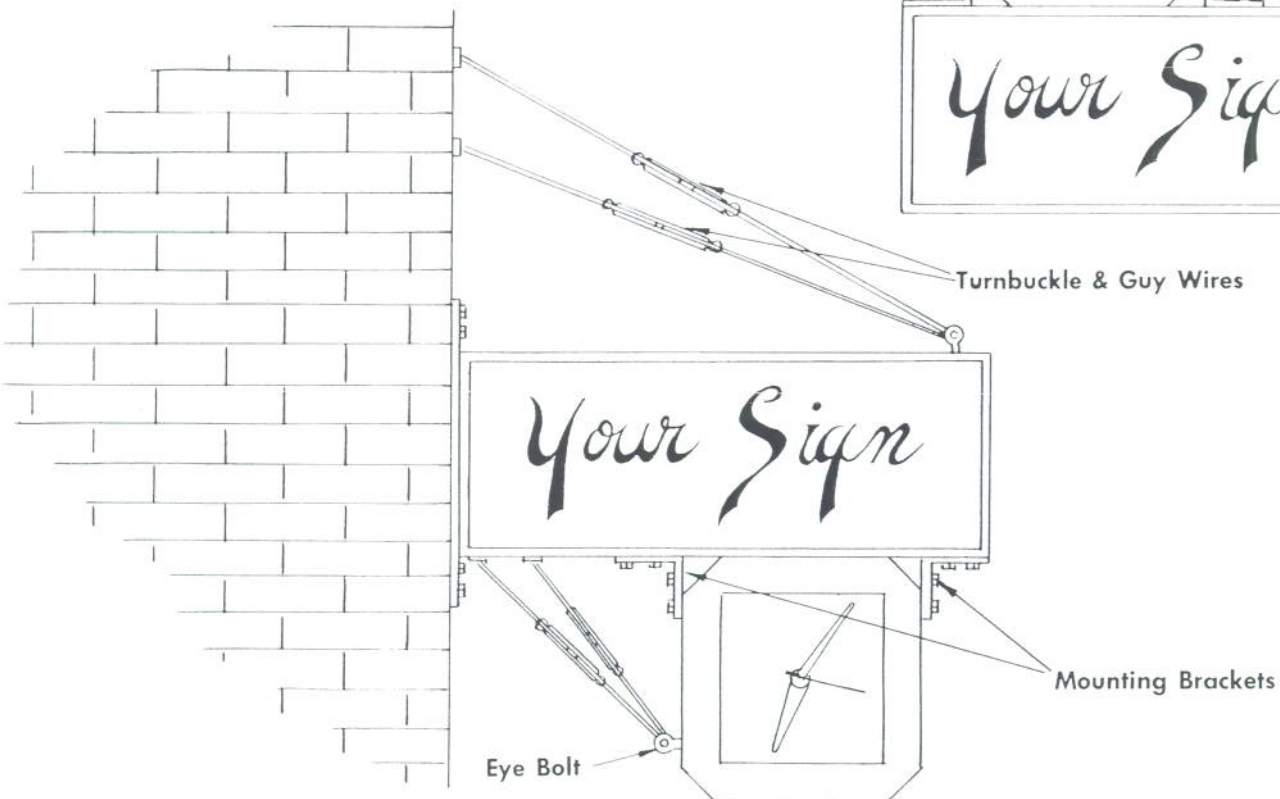
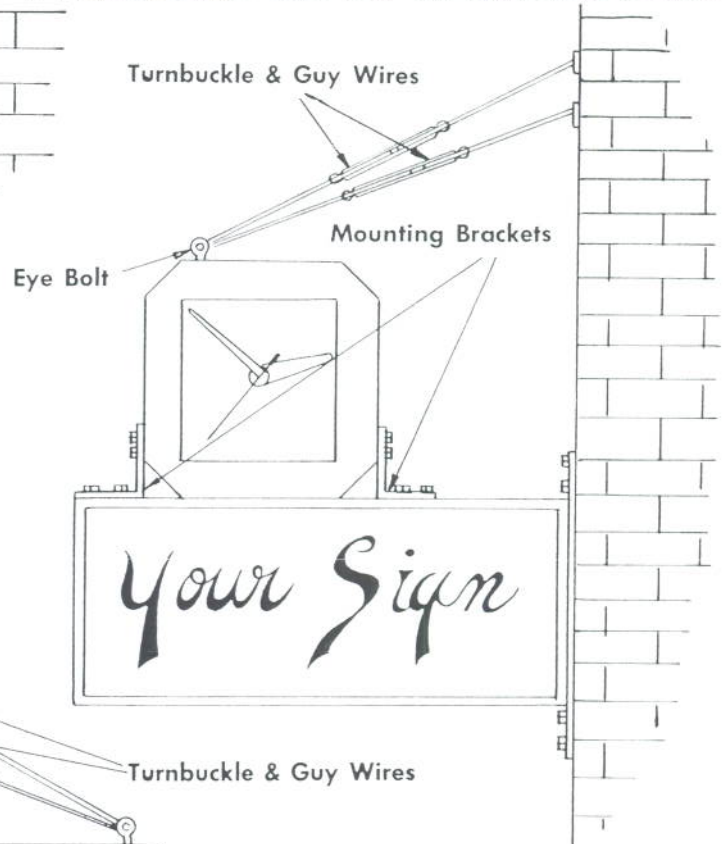
MOUNTING BRACKET - MODEL BHD

Shipped F.O.B. Cleveland

#3 MOUNTING UNDER EXISTING SIGNS



#4 MOUNTING ON TOP OF EXISTING SIGNS



#5 MOUNTING UNDER EXISTING SIGNS